

1

安装设备 Mounting the device

1.1 安装调试须知 – Before mounting and commissioning

重要信息：在安装和连接设备前，应先仔细阅读设备附带的所有文档和产品操作手册。您可以在产品附带的《用户手册和驱动》DVD 或是西门子客服网站上找到产品的操作手册。

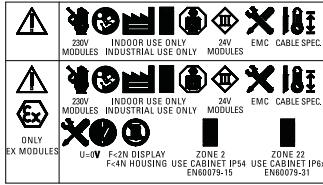
(<https://www.siemens.de/simatic-ipc-doku-portal>).

IMPORTANT: observe all documents enclosed with the device and the operating instructions manual before mounting and connecting the device. You find the complete documentation of the device on the enclosed "Documentation and Drivers" DVD and on the internet

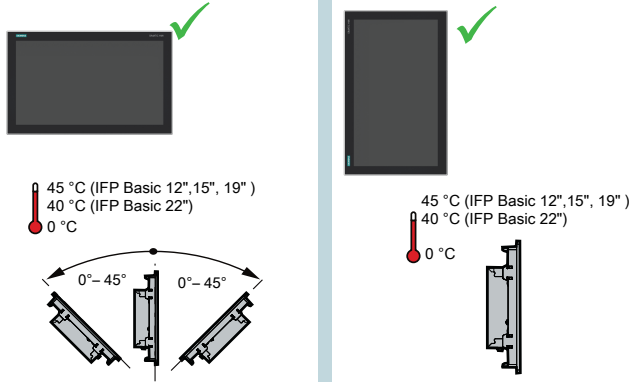
(<https://www.siemens.com/simatic-ipc-doku-portal>).

此文件标识表示，如需详细信息请参阅操作手册。

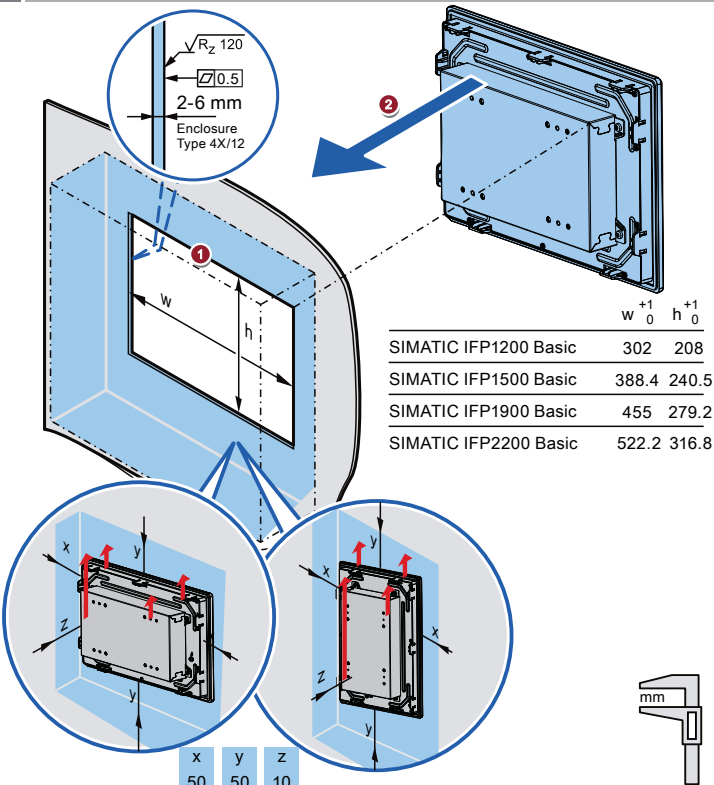
The manual symbol refers to detailed information in the operating



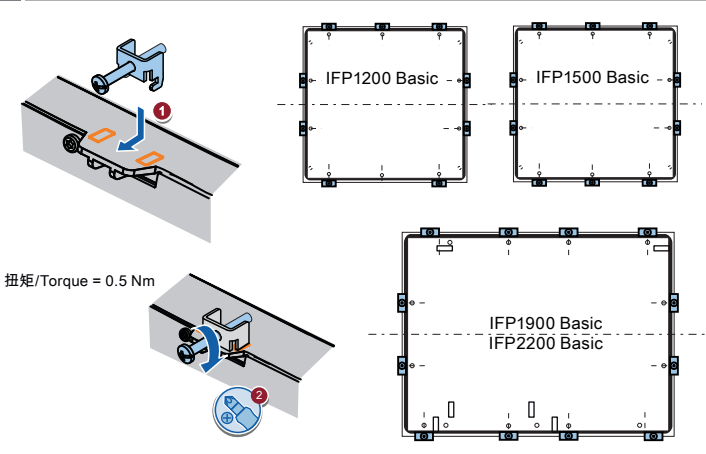
1.2 允许的安裝位置 – Valid Mounting positions



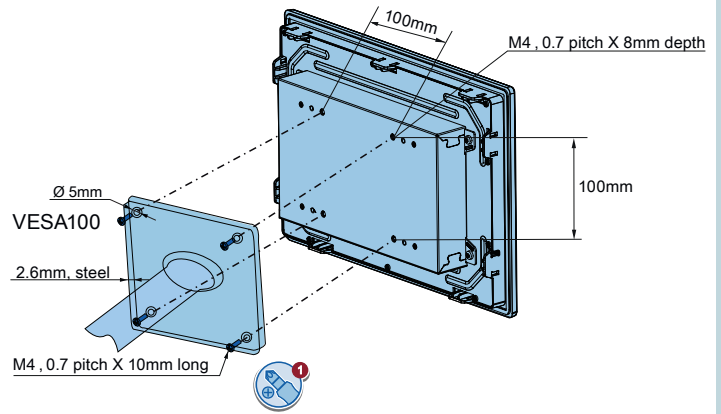
1.3 安装 HMI 设备 – Installing the HMI device



1.4 固定设备 – Mounting the device

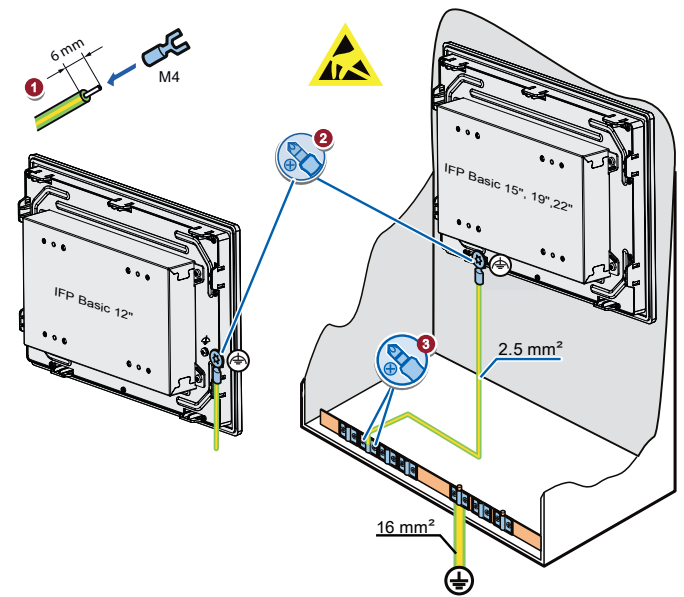


1.5 VESA 安装 – VESA Mounting



2 连接设备 Connecting the device

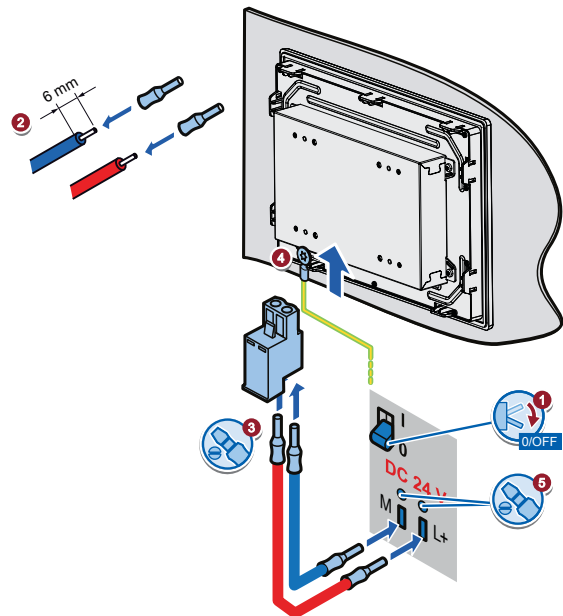
2.1 接地连接 – Connecting the protective earth



2.2 连接电源 – Connecting the power supply

本设备只能与符合 IEC/EN/DIN EN/UL 61010-1 安全特低电压要求的 24 V 直流电源(-15% / +20%)连接。电缆的横截面必须与电源的短路电流相适应，以便在发生短路时不会因电缆而造成损坏。电源必须符合 IEC/EN/DIN EN/UL 61010-1 中 LPS 的要求。

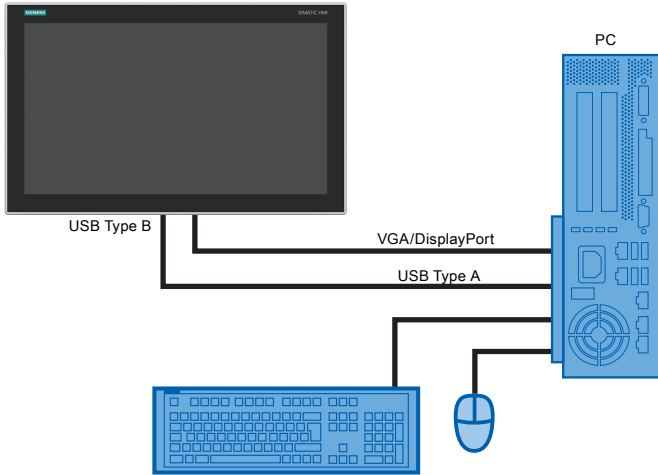
The device must only be connected to a 24 VDC power supply (-15% / +20%) which satisfies the requirements of safe extra low voltage (SELV) according to IEC/EN/DIN EN/UL 61010-1. The cross-section of the cables must be adapted to the short-circuit current of the power supply so that no damage can be caused due to the cables in case a short-circuit occurs. The power supply must meet the LPS requirement in accordance with IEC/EN/DIN EN/UL 61010-1.



3

调试设备 Commissioning the device

3.1 连接到电脑 – Connecting to PC



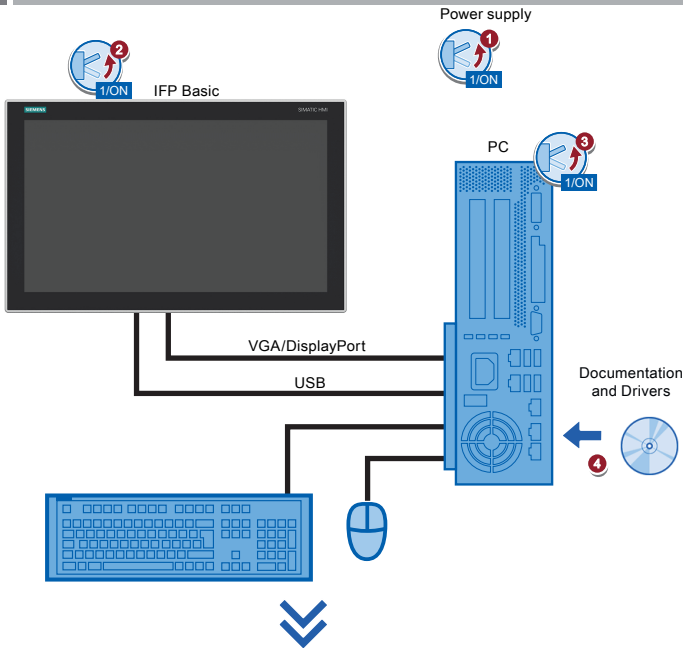
平板与电脑的走线距离应小于 5 m。



The length of the connection cable between the IFP Basic and the PC should be less than 5 m.

当 VGA 口和 DP 口分别连接到两台主机时, IFP Basic 优先显示 DP 口的信号。
When VGA port and DP port are connected to two hosts, IFP Basic displays the signals from DP port.

3.2 初步调试 – Initial commissioning



安装 IFP Basic 工具和驱动。
Install the tool and driver for IFP Basic.

插图

本文档包含设备及其附件的插图。这些插图可能会和实际发布的产品和附件有所偏离。

Illustrations

This document contains illustrations of the described devices and accessories. The illustrations may deviate from the particularities of the delivered device and accessories.

免责声明

我们已经审阅过本文档, 以保证所描述硬件与软件的一致性。由于差异不能够彻底排除, 所以我们不能保证完全的一致。然而, 我们会定期审阅本文的内容, 必要的修改会包含在子版本中。

Disclaimer of Liability

We have reviewed the contents of this publication to ensure consistency with the hardware and software described. Since variance cannot be precluded entirely, we cannot guarantee full consistency. However, the information in this publication is reviewed regularly and any necessary corrections are included in subsequent editions.

Siemens AG
DF FA
Postfach 48 48
90026 NÜRNBERG

SIEMENS

SIMATIC HMI

IFP1200, IFP1500, IFP1900, IFP2200 Basic

Quick Install Guide

技术支持中心
Central Technical Support

<https://support.industry.siemens.com>

服务和配件
Service and spare parts

<https://support.industry.siemens.com>

安装设备
Mounting the device

连接设备
Connecting the device

调试设备
Commissioning the device

1

2

3

03/2019
A5E44452266 - AA

